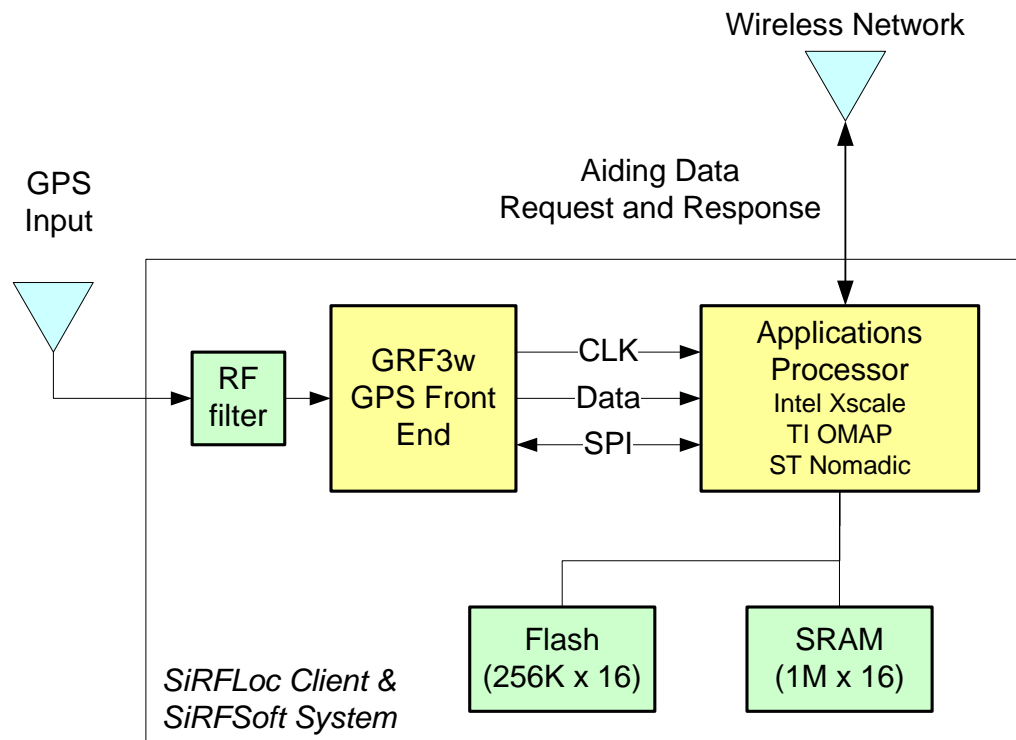


Product Overview

- Scalable and modular software baseband solution for GPS providing position, velocity, time and heading output
- Portable to leading smart-phone and PDA platforms
- Supports aided and autonomous GPS
- Enables complete GPS solution with SiRF's GRF3w Receiver RF IC
- Enables complete end-to-end A-GPS solution when used with SiRFLoc Server and Client



Key Features

- -155 dBm Sensitivity under hot start or fully aided condition (GSM coarse aiding)
- Optimized to operate with proven SiRF GPS RF IC products
- Anti-Multipath Triangulation improves accuracy in harshest environments
- Portable to any application processor – Intel Xscale, TI OMAP, ST Nomadic
- Supports SiRF's patented MultiMode Aided-GPS (A-GPS) technology
- Air Interface Independent – GSM, WCDMA, TDMA, PDC
- Supports various location service protocols – RRLP, RRC, PDDM, IS-801, DLP, SLP

Benefits

- Eliminates the need for dedicated GPS baseband IC in multifunction mobile handhelds
- Reduces footprint and cost of the baseband implementation
- Enables more flexibility in system architecture and implementation
- Compatible with any network air interface type and location service protocol enabling location roaming

General Specifications*

Assistance data

Frequency reference	+/- 0.2 PPM
Time reference	+/- 0.5 sec.
Approximate location	within 10 km
Ephemeris aiding	for all visible satellites

Receiver

Tracking	L1, C/A code
Maximum velocity	300 km/h
Sampling rate	16.368 MHz
Resolution	2 bit

Time-to-First-Fix, Aided Mode

Open Sky	3 seconds
Urban Canyon	10 seconds

Unaided Position Fix (position fix within 2 hours)

All sats at -145 dBm	8 seconds
----------------------	-----------

Accuracy

Open Sky	5 meters
Urban Canyon	10 meters

Maximum Sensitivity¹

-155 dBm (15 dB-Hz)

Total Solution Footprint

90 mm² (total RF components only)

* specifically for GSM Coarse Aiding

¹ as measured at antenna (in brackets at correlator); assumes -4 dB loss between antenna and correlator

For more information, please contact your nearest SiRF representative, distributor or sales office or visit our web site at www.sirf.com

SiRF Americas	+1-408-467-0410	SalesAmericas@sirf.com
SiRF Asia-Pacific	+886-2-2723-7853	SalesAsiaPacific@sirf.com
SiRF France	+33-3-82-86-04-15	SalesFrance@sirf.com
SiRF Germany	+49-81-529932-90	SalesGermany@sirf.com
SiRF Japan	+81-44-829-2186	SalesJapan@sirf.com
SiRF United Kingdom	+44-1344-668390	SalesUK@sirf.com